



Features

- VIM-2 module for VIM-compatible processor boards
- Provides two bidirectional FPDPs
- Data rates to 160 MB/sec

General Information

Model 6226 is a VIM-2 module which attaches directly to VIM-compatible processor boards. It makes two bidirectional FPDP ports available to the processors.

Two Model 6226's may be attached to a VIM-compatible processor board to provide four FPDP ports, one per processor. Alternatively, the Model 6226 may be combined with another VIM-2 module to provide additional I/O functions.

FPDP

FPDP (Front Panel Data Port) is an industry standard front panel ribbon interface, now defined by an ANSI/VITA specification, providing high speed data transfers between system peripherals, array processors and data acquisition devices. FPDP implements a 32-bit parallel communication link capable of delivering data at sustained rates of 160 MB/sec using standard flat ribbon cable.

Operation

The Model 6226 contains up to two identical sections, each providing a bidirectional FPDP port to its respective processor. A CPLD controller provides timing and handshaking to interface through the mezzanine connectors to the 32-bit mezzanine BI-FIFO ports of VIM processor boards. Each FPDP port can be software-configured for either input or output operation.

Options

The Model 6226 features one 80-pin FPDP connector on its front panel. This connector nests in the same slot as the VIM-compatible processor board. One of the following

options must be selected when purchasing (see drawings below for Options -002 through -004):

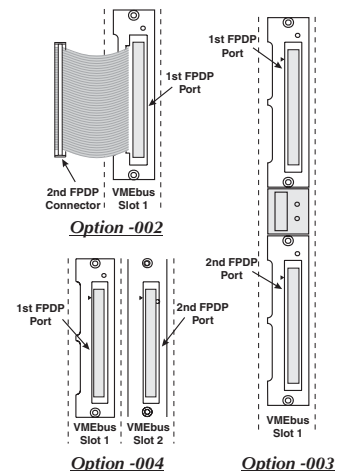
Option -001: Provides one FPDP port.

Option -002: Provides two FPDP ports in a single VIM-2 section. The first port is located on the front panel; the second port is accessible through a front panel ribbon cable terminated in a FPDP connector.

Option -003: Provides two FPDP ports in a single slot. The first port is located in the upper VIM-2 section; the second port is located in the lower section. No other VIM-2 module may be used with this configuration.

Option -004: Provides two FPDP ports in adjacent slots, allowing a second VIM-2 module to be connected. The second port is attached to an adjacent VME carrier panel which covers the entire second slot.

Two 6226's can be installed to provide up to four FPDP interfaces in a single slot (-002) or in two adjacent slots (-004).



Ordering Information

Model	Description
6226	FPDP Adapter - VIM-2
Options:	
-001	One FPDP
-002	Dual FPDP, plug & cable
-003	Dual FPDP, in-line
-004	Dual FPDP, two slots

