



Features

- Two 80 or 105 MHz, 14-bit A/D converters
- 16 channels of multiband digital downconverters
- 5 kHz to 10 MHz output bandwidth for $f_s = 100$ MHz
- 250 MHz input bandwidth
- Ideal for IF sampling
- User-configurable Xilinx Virtex-II FPGA
- Custom FPGA I/O through the P4 PMC connector
- Bypass path allows direct capture of A/D data
- Front panel clock and sync bus
- Synchronization of up to 80 modules (with Model 9190)
- **Ruggedized version available: 7131-702**

General Information

Model 7131 is a general-purpose 16-channel multiband digital receiver PMC module which attaches directly to PMC-compatible baseboards. It includes both a Virtex-II FPGA and two 14-bit A/Ds for signal processing.

Front End

The Model 7131 accepts two analog RF inputs at +4 dBm full scale into 50 ohms on front panel SMA connectors.

The two inputs are transformer coupled and digitized by AD6645 14-bit A/D converters. The AD6645 operates at a maximum sampling rate of 80 MHz in the standard unit and up to 105 MHz for option -100.

The sampling clock can be driven from an internal 80 MHz or 100 MHz crystal oscillator, or from an external sample clock supplied through a front panel SMA connector or the front panel sync bus.

Digital Downconverters

The 7131 includes four TI/Graychip GC4016 quad multiband digital downconverter chips. The maximum input sampling rate for the GC4016 is 100 MHz. Each device includes four independently tunable channels capable of center frequency tuning from DC to $f_s/2$, where f_s is the sample clock frequency.

Each GC4016 accepts two 14-bit parallel inputs from the two A/D converters. A cross-bar switch in each GC4016 allows all 16 channels on the board to select either of the two A/D inputs for flexible switching.

Output Bandwidth

With a 100 MHz sample clock, the useable output bandwidth of each of the downconverter channels is 2.5 MHz. However, since the Model 7131 delivers parallel digital outputs from the GC4016 into the FPGA, users can take advantage of the GC4016 channel combining mode to join two or four channels into a single channel with a resulting bandwidth of 5 or 10 MHz, respectively. This supports many of the new wideband wireless standards.

Since both A/D converters connect directly to the FPGAs, signals with even wider bandwidths can be accommodated.

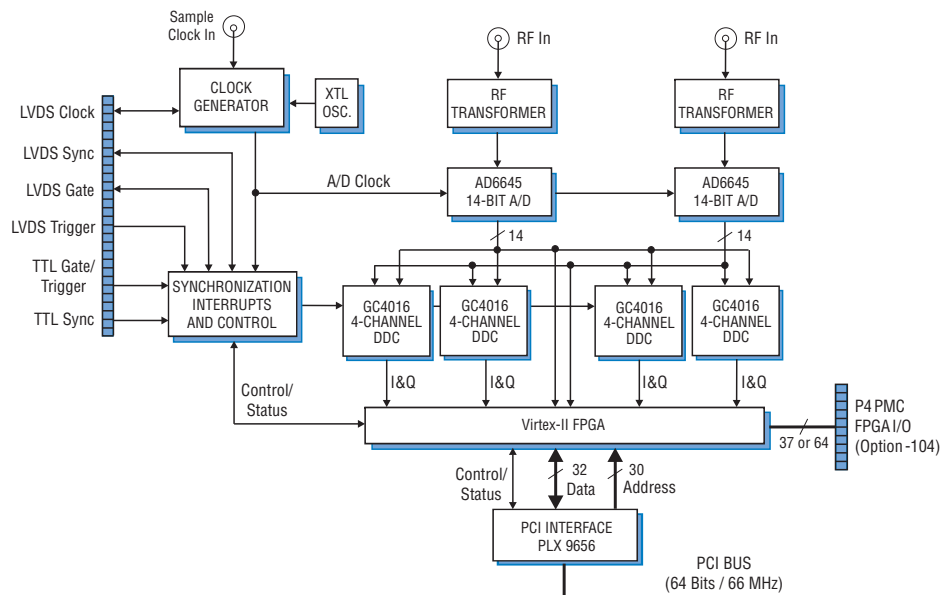
FPGA

The downconverter outputs are delivered to a Xilinx Virtex-II XC2V1000 FPGA (XC2V3000 with option -300) which is factory configured to perform various modes of data packing, formatting and channel selection.

Dual port memories in the FPGA provide efficient PCI Bus transfers by buffering receiver and A/D data.

The A/D outputs are also connected directly to the FPGA so that wideband A/D data can be delivered directly to the baseboard bypassing the downconverters. An A/D decimation mode allows one of every N samples to be written into the FPGA memory, where N is any integer between 1 and 4096. This overcomes the lower frequency limit on the A/D sample clock.

Option -104 installs the P4 PMC connector with 37 or 64 signal line connections to the XC2V1000 or XC2V3000 FPGA respectively, for custom I/O through P4. ➤



Ruggedization

Model 7131-702 meets Pentek Ruggedization Level L2 requirements by extending the operating and storage temperature range of the commercial version and by adding resistance to shock and vibration.

Environmental Specifications, Option -702

Operating Temp: -20° to 65° C

Storage Temp: -40° to 100° C

Sine Vibration: 2 g, 20–500 Hz

Random Vibration: 0.04 g²/Hz, 20–2,000 Hz

Shock: 20 g, 11 msec

Relative Humidity: 0 to 95%, non-condensing;

With Option -720: conformal coating, 0 to 100% non-condensing

Ordering Information

Model	Description
7131	16-Channel Multiband Receiver with A/Ds and FPGA - PMC

Options:

-100	105 MHz A/D with 100 MHz crystal oscillator
-104	FPGA I/O with the P4 connector
-300	XC2V3000 FPGA
-702	Pentek Level 2 Ruggedization
-720	Conformal coating

► Synchronization

The front panel clock and sync bus allow one 7131 to act as a master, driving the sample clock out to a front panel cable bus using LVDS differential signaling.

Additional sync lines on the bus allow synchronization of the local oscillator phase, frequency switching, decimating filter phase, and data collection on multiple 7131's.

Up to eight slave 7131 modules can be driven from the LVDS bus master, supporting synchronous sampling and sync functions across all connected modules. Up to 80 modules may be synchronized with a Model 9190 Clock and Sync Generator. In addition to the LVDS timing bus, the Model 7131 can receive front panel TTL input signals for gate or trigger functions.

Interrupt Sources

The Model 7131 has several maskable interrupt sources. PCI interrupts may be generated by A/D converter overload output codes, transitions on the gate signals, clock loss, buffer swapping, or a programmable over-temperature condition or faulty power supply voltage. The ADM1024 Voltage/Temperature Monitor provides constant monitoring of critical voltages and temperatures and generates an interrupt if values exceed threshold limits which are user programmable over the PCI interface.

PCI Interface

The FPGA output is connected to a 66 MHz, 64-bit PCI interface capable of 528 MB/sec peak data rates. An industry standard PLX9656 PCI interface chip ensures full conformance to all PCI bus timing specifications.

Specifications

Front Panel Analog Signal Inputs

Input Type: Transformer-coupled, front panel female SMA connectors

Transformer Type: Mini-Circuits ADT4-6T

Full Scale Input: +4 dBm into 50 ohms

3 dB Passband: 60 kHz to 270 MHz

A/D Converters, Standard

Type: Analog Devices AD6645-80

Sampling Rate: 30 MHz to 80 MHz

Internal Clock: 80 MHz crystal osc.

External Clock: 30 to 80 MHz

Resolution: 14 bits

A/D Converters, Option -100

Type: Analog Devices AD6645-105

Sampling Rate: 30 MHz to 105 MHz

Internal Clock: 100 MHz crystal osc.

External Clock: 30 to 105 MHz

Resolution: 14 bits

Clock Source: Onboard crystal oscillator, front panel ext clock, or LVDS clock

External Clock

Type: Front panel female SMA connector, sine wave, 0 to +10 dBm, AC-coupled, 50 ohms impedance

Sync/Gate Bus

Type: 26-pin connector, with one clock, one sync, and two gate input/output LVDS signals; two trigger LVDS inputs; and one sync and one gate input TTL signals

Digital Downconverters

Type: TI/Graychip GC4016

Decimation: 32 to 16,384; with channel combining mode: 8 or 16

Data Source: A/D outputs are connected to all GC4016's

Output: Parallel complex data

Bypass Mode: Data from the A/D converters can be written directly into the FPGAs at a sample rate equal to the A/D clock decimated by any integer between 1 and 4096

Field Programmable Gate Array

Type: Xilinx Virtex-II XC2V1000 standard

Option -300: Virtex-II XC2V3000

Option -104: Installs the P4 connector with 37 lines to the XC2V1000 or 64 lines to the XC2V3000 FPGA

Dual Port RAM Data Buffers

Size: 4k x 32 DPRAM expandable to 8k x 32 with option -300 FPGA

PCI Interface

Type: PLX Technology PCI 9656

PCI Bus: 64-bit, 66 MHz (also supports 32-bit and/or 33 MHz)

Local Bus (FPGA): 32-bit, 66 MHz

Data Transfer Modes: Direct slave mode and DMA mode

Environmental (Commercial version)

Operating Temp: 0° to 50° C

Storage Temp: -20° to 90° C

Relative Humidity: 0 to 95%, non-cond.

Size: Standard PMC module, 2.91 in. x 5.87 in.