

New!

Model 5356

Dual 400 MHz A/D, 800 MHz D/A, Virtex-5 FPGAs - 3U VPX



Features

- Complete software radio interface solution for 3U VPX systems
- Supports Gigabit Serial Fabrics including PCI Express, Serial RapidIO and Xilinx Aurora
- Two 400 MHz 14-bit A/Ds
- One DUC (Digital Upconverter)
- Two 800 MHz, 16-bit D/As
- Up to 1 GB of DDR2 SDRAM
- Two Xilinx Virtex-5 FPGAs
- Dual timing buses for independent A/D and D/A clock rates
- LVPECL clock/sync bus for multiboard synchronization
- 32 pairs of LVDS connections to the Virtex-5 FPGAs for custom I/O
- 3U VPX form factor provides a compact, rugged platform
- Compatible with several VITA standards including:
 - VITA-46 (VPX Baseline Standard)
 - VITA-48 (VPX REDI)
 - VITA-65 (OpenVPX™ System Specification)
- Ruggedized and conduction-cooled versions available

General Information

Model 5356 is a dual-channel, high-speed data converter suitable for connection to HF or IF ports of a communication system. It includes two 400 MHz A/Ds, 800 MHz D/A and Virtex-5 FPGAs.

The 5356 features built-in support for PCI Express (PCIe) Gen. 2 over the 3U VPX backplane. A unique fabric-transparent crossbar switch configuration adds gigabit serial data paths for Xilinx Aurora or Serial RapidIO applications.

A/D Converter Stage

The front end accepts two full scale analog HF or IF inputs on front panel SMC connectors at +8 dBm into 50 ohms with transformer coupling into TIADS5474 14-bit 400 MHz A/Ds. Designed with a 750 MHz input bandwidth, the A/Ds are excellent for undersampling applications.

The digital outputs are delivered into the processing FPGA for signal processing, capture or routing to other board resources.

Digital Upconverter and D/A Stage

A TI DAC5688 digital upconverter (DUC) and D/A accepts a baseband real or complex data stream from the FPGA and provides that input to the upconvert, interpolate and dual D/A stages.

When operating as an upconverter, it interpolates and translates real or complex baseband input signals to any IF center frequency between DC and 300 MHz. It delivers real or quadrature (I+Q) outputs at up to 500 MHz to the 16-bit D/A converter.

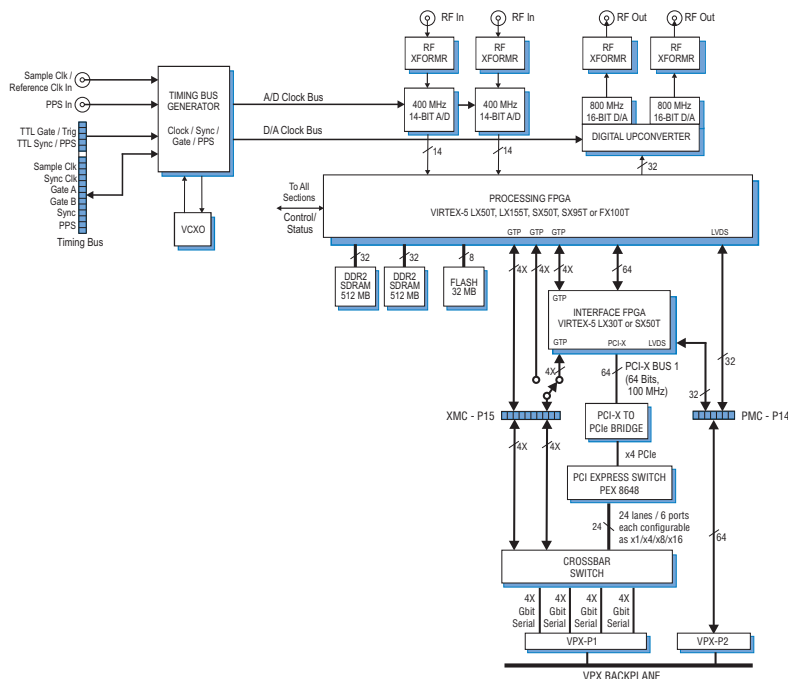
Analog output is through a pair of front panel SMC connectors at +4 dBm into 50 ohms. If translation is disabled, the DAC5688 acts as a dual interpolating 16-bit D/A with output sampling rates up to 800 MHz. In both modes the DAC provides interpolation factors of 2x, 4x and 8x.

Virtex-5 FPGAs

The architecture includes two Virtex-5 FPGAs. All of the board's data and control paths are accessible by the FPGAs, enabling factory-installed functions including data multiplexing, channel selection, data packing, gating, triggering and SDRAM memory control. In addition to the built-in functions, users can install their own custom IP for data processing. Pentek GateFlow FPGA Design Kits facilitate integration of user-created IP with the factory shipped functions.

The processing FPGA serves as a control and status engine with data and programming interfaces to each of the on-board resources including the data converters, DDR2 SDRAM memory, interface FPGA, programmable LVDS I/O and clock, gate and synchronization circuits. The processing FPGA can be populated with a variety of different FPGAs to match the specific requirements of the processing task. Supported FPGAs include: Virtex-5 SX50T, SX95T, LX50T, LX155T, and FX100T.

The SXT parts feature between 288 and 640 DSP48E slices and are ideal for demodulation/modulation, decoding/encoding, decryption/encryption, digital delay, and channelization of the signals between ➤



Memory Resources

Up to two independent 512 MB banks of DDR2 SDRAM are available to the processing FPGAs. Built-in memory functions include an A/D data transient capture mode with pre- and post-triggering and D/A waveform playback mode. All memory banks are supported with DMA engines for easily moving data through the PCI interface.

Fabric-Transparent Crossbar Switch

The 5356 features a unique high-speed switching configuration. A fabric-transparent crossbar switch bridges numerous interfaces and components on the board using gigabit serial data paths with no latency. Programmable signal input equalization and output pre-emphasis settings enable optimization. Data paths can be selected as single (x1) lanes, or groups of four lanes (x4).

PCI Express Switch

Model 5356 includes a PCIe Gen. 2 switch. The switch provides a total of 24 PCIe lanes to the Fabric-Transparent Crossbar Switch on 6 ports. Dynamic lane width negotiation within the PCIe switch allows for x1, x4, x8 or x16 widths. These can be selected in any combination.

Ordering Information

Model	Description
5356	Dual 400 MHz A/D, 800 MHz D/A, Virtex-5 FPGAs - 3U VPX
Options:	
-104	FPGA I/O to VPX-P2
-5xx	Gigabit Serial I/O to VPX-P1- four full-duplex 4X paths
-703	Level L3 Conduction-Cooled Version

Contact Pentek for additional available options.

reception and transmission. For applications requiring more FPGA logic cells, the board can be optionally configured with an LX155T in the processing FPGA position for 156,648 logic cells.

A second Virtex-5 FPGA provides the board's PCI-X interface. The interface FPGA can be configured as an LXT family or an SXT family part, providing not only interface functionality, but processing resources up to an additional 640 DSP48E slices.

Option -104 provides general purpose I/O to VPX-P2 with 16 pairs of LVDS connections to the processing FPGA, and 16 more to the interface FPGA for custom I/O.

Clocking and Synchronization

Two internal timing buses can provide either a single clock or two different clock rates to the A/D and D/A signal paths.

Each timing bus includes a clock, sync and a gate or trigger signal. An internal clock generator receives an external sample clock from the front panel SMC connector. This clock can be used directly for either the A/D or D/A sections or can be divided by a built-in clock synthesizer circuit to provide different A/D and D/A clocks. In an alternate mode, the sample clock can be sourced from an on-board programmable voltage controlled crystal oscillator. In this mode, the front panel SMC connector can be used to provide a 10 MHz system reference clock for synchronizing the internal oscillator.

A front panel 26-pin LVPECL Clock/Sync connector allows multiple boards to be synchronized. In the slave mode, it accepts LVPECL inputs that drive the clock, sync and gate signals. In the master mode, the LVPECL bus can drive the timing signals for synchronizing multiple modules.

Up to three slave 5356's can be driven from the LVPECL bus master, supporting synchronous sampling and sync functions across all connected boards.

Specifications

Front Panel Analog Signal Inputs

Input Type: Transformer-coupled, front panel female SMC connectors

Full Scale Input: +8 dBm into 50 ohms

3 dB Passband: 250 kHz to 750 MHz

A/D Converters

Type: TI ADS5474

Sampling Rate: 20 MHz to 400 MHz

Resolution: 14 bits

D/A Converters

Type: TI DAC5688

Input Data Rate: 250 MHz max.

Output IF: DC to 300 MHz

Output Signal: 2-channel real or 1-channel with frequency translation

Output Sampling Rate: 800 MHz max. with interpolation

Resolution: 16 bits

Front Panel Analog Signal Outputs

Output Type: Transformer-coupled, front panel female SMC connectors

Full Scale Output: +4 dBm into 50 ohms

3 dB Passband: 250 kHz to 750 MHz

Sample Clock Sources: On-board clock synthesizer generates two clocks: one A/D clock and one D/A clock

Clock Synthesizer:

Clocks Source: Selectable from on-board programmable VCXO, front panel external clock or LVPECL timing bus

Synchronization: Clocks can be locked to a front panel 5 or 10 MHz system reference

External Clocks

Type: Front panel female SMC connector, sine wave, 0 to +10 dBm, AC-coupled, 50 ohms, accepts 20 to 400 MHz sample clock or 10 MHz system reference

Timing Bus: 26-pin connector LVPECL bus includes clock/sync/gate/PPS input/output; TTL signals for gate/trigger and sync/PPS inputs

Field Programmable Gate Arrays

Processing FPGA: Virtex-5 XC5V50T; optional FPGAs include: XC5VLX50T, XC5V50T, XC5VFX100T, or XC5VLX155T

Interface FPGA: Virtex-5 XC5VLX30T; optional FPGA: XC5V50T or XC5VFX70T

Custom I/O

Option -104: Provides GPIO to VPX-P2 with 16 LVDS pairs to processing FPGA (SX95T, LX155T or FX100T only) and 16 pairs to interface FPGA

Memory

DDR2 SDRAM: Up to 1.0 GB in two banks to processing FPGA

PCI to PCIe Interface

PCI-X Bus: 64-bits, 100 MHz and 64- or 32-bits at 33 or 66 MHz

DMA: 4 channel demand-mode and chaining controller per PCI bus

Gigabit Serial I/O:

Processing FPGA: Two 4X ports to Fabric-Transparent Switch; one can be alternately routed to interface FPGA

VPX-P1: Four 4X ports to Fabric-Transparent Crossbar Switch

PCI Express: Six ports to Fabric-Transparent Switch, each configurable as x1, x4, x8 or x16 lanes, 24 lanes total

Environmental

Operating Temperature:

Forced-Air Cooled: 0° to 50° C std; -20° to 65° C (Level L2)

Conduction-Cooled: -40° to 70° C (Level L3)

Size: 3.937 in. x 6.717 in. (100 mm x 170.6 mm)