

New!

Models 57810 & 58810

LVDS Digital I/O with Kintex UltraScale FPGA - 6U VPX



Model 57810



General Information

Models 57810 and 58810 are members of the Jade™ family of high-performance 6U VPX boards. The Jade architecture embodies a new streamlined approach to FPGA-based boards, simplifying the design to reduce power and cost, while still providing some of the highest-performance FPGA resources available today. Designed to work with Pentek's new Navigator™ Design Suite of tools, the combination of Jade and Navigator offers users an efficient path to developing and deploying FPGA-based data acquisition and processing.

These models consist of one or two Model 71810 XMC modules mounted on a VPX carrier board. Model 57810 is a 6U board with one Model 71810 module while the Model 58810 is a 6U board with two XMC modules rather than one.

In addition to supporting PCI Express Gen. 3 as a native interface, the Model 57810 and Model 58810 include optional high-bandwidth serial and parallel connections to the Kintex UltraScale FPGA for custom digital I/O.

The Jade Architecture

Evolved from the proven designs of the Pentek Cobalt and Onyx families, Jade raises the processing performance with the new flagship family of Kintex UltraScale FPGAs from Xilinx. As the central feature of the board architecture, the FPGA has access to all data and control paths. The Jade architecture organizes the FPGA as a container for data-processing applications where each function exists as an intellectual property (IP) module.

Extendable IP Design

For applications that require specialized functions, users can install their own custom IP for data processing. The Pentek Navigator FPGA Design Kits include the board's entire FPGA design as a block diagram that can be edited in Xilinx's Vivado tool suite.

In addition to the block diagrams, all source code and complete IP core documentation is included. Developers can integrate their own IP along with the wide range of IP functions contained in the Navigator IP library, or use the Navigator kit to completely replace the Pentek IP with their own.

Xilinx Kintex UltraScale FPGA

The Kintex UltraScale FPGA site can be populated with a range of FPGAs to match the specific requirements of the processing task, spanning the KU035 through KU115.

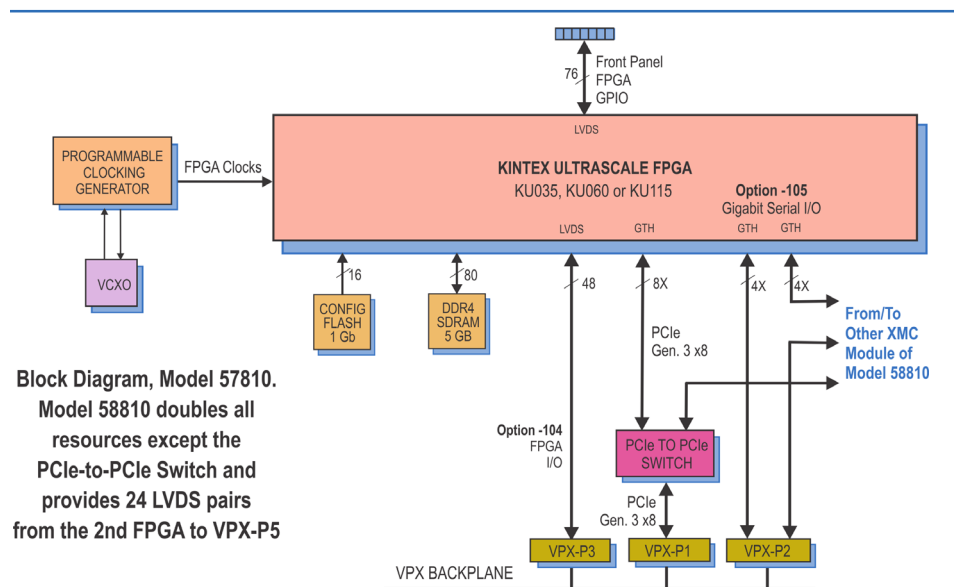
The KU115 features 5520 DSP48E2 slices and is ideal for modulation/demodulation, encoding/decoding, encryption/decryption, and channelization of the signals between transmission and reception. For applications not requiring large DSP resources or logic, a lower-cost FPGA can be installed.

Option -104 provides 24 pairs of LVDS connections between the FPGA and the VPX P3 connector, Model 57810; P3 and P5 connectors, Model 58810.

Option -105 provides two 4X gigabit links between the FPGA and the VPX P2 connector to support serial protocols. ➤

Features

- Supports Xilinx Kintex UltraScale FPGAs
- Front panel digital I/O can be used as a status and control or data interface
- PCI Express (Gen. 1, 2 & 3) interface up to x8
- Optional LVDS and gigabit serial connections to the FPGA for custom I/O
- Ruggedized and conduction-cooled versions available





The SPARK Development Systems are fully-integrated platforms for Pentek board-level products. They were created to save engineers and system integrators the time and expense associated with building and testing a development system. Each SPARK system is delivered with the Pentek board(s) and required software installed. The system is equipped with sufficient power and cooling to ensure optimum performance.

► **Front-Panel Digital I/O Interface**

These models include one or two 80-pin front panel connectors that provide 38 or 76 LVDS pairs connected to one or both of the FPGAs. With user IP, these can be utilized for a control and status interface to other components of the system or as a data path.

Specifications

Front Panel Digital I/O (1 or 2)

Connector Type: 80-pin connector, mates to a ribbon cable connector

Signal Quantity: 38 or 76 pairs

Signal Type: LVDS

Field Programmable Gate Array (1 or 2)

Standard: Xilinx Kintex UltraScale XCKU035-2

Option -084: Xilinx Kintex UltraScale XCKU060-2

Option -087: Xilinx Kintex UltraScale XCKU115-2

Custom I/O (1 or 2)

Option -104 provides 24 pairs of LVDS connections between the FPGA and the VPX P3 connector, Model 57800; P3 and P5 connectors, Model 58800

Option -105 provides two 4X gigabit serial links between the FPGA and the VPX P2 connector to support serial protocols

Memory (1 or 2)

Type: DDR4 SDRAM

Size: 5 GB

Speed: 1200 MHz (2400 MHz DDR)

PCI-Express Interface

PCI Express Bus: Gen. 1, 2 or 3: x4 or x8

Environmental

Standard: L0 (air cooled)

Operating Temp: 0° to 50° C

Storage Temp: -20° to 90° C

Relative Humidity: 0 to 95%, non-condensing

Option -702: L2 (air cooled)

Operating Temp: -20° to 65° C

Storage Temp: -40° to 100° C

Relative Humidity: 0 to 95%, non-condensing

Option -763: L3 (conduction cooled)

Operating Temp: -40° to 70° C

Storage Temp: -50° to 100° C

Relative Humidity: 0 to 95%, non-condensing

Size: 6U Board 9.187 in x 6.717 in (233.3 mm x 170.6 mm)

Kintex UltraScale FPGA Resources			
	XCKU035	XCKU060	XCKU115
System Logic Cells	444,000	726,000	1,451,000
DSP Slices	1,700	2,760	5,520
Block RAM (Mb)	19.0	38.0	75.9

Ordering Information

Model	Description
57810	LVDS Digital I/O with Kintex UltraScale - 6U VPX
58810	Double LVDS Digital I/O with Kintex UltraScale - 6U VPX

Options:

-084	XCKU060-2 FPGA
-087	XCKU115-2 FPGA
-104	LVDS FPGA I/O
-105	Gigabit serial FPGA I/O
-702	Air cooled, Level L2
-763	Conduction cooled, Level L3

Contact Pentek for complete specifications of rugged and conduction-cooled versions