



**Features**

- Complete software radio transceiver solution
- GateFlow Core 430 with 256 channels of narrowband digital downconverters factory-installed
- 256 fully programmable NCOs with 32-bit frequency tuning resolution
- Programmable decimation settings from 1024 to 9984 in steps of 256

**General Information**

Model 7640-430 is a half-length PCI transceiver with 256 channels of narrowband DDCs. It consists of one Model 7140-430 transceiver mounted on a PCI carrier board. The Model 7640-430 attaches directly to computer motherboards with PCI bus slots. Front panel connectors are brought out on the rear panel.

The receiver section features two AD6645 105 MHz 14-bit A/D converters and one Texas Instruments GC4016 quad multiband digital downconverter. The GC4016 supports a decimation range from 32 to 16,384. For an A/D sample clock frequency of 100 MHz, the output bandwidth for each of the four channel ranges from 2.5 MHz down to 5 kHz. By combining two or four channels, decimations of 16 or 8 can be achieved for an output bandwidth of up to 5 or 10 MHz, respectively.

For applications that require many channels of narrowband downconverters, Pentek offers the GateFlow IP Core 430 256-Channel Digital Downconverter bank. Factory installed in the 7640-430 FPGA, Core 430 creates a flexible, very high channel count receiver system in a small footprint.

**Core 430: 256-Channel DDC Bank**

Unlike legacy channelizer methods, the Pentek 430 core allows for independent programmable tuning of each channel with 32-bit resolution. Filter characteristics are comparable to many conventional ASIC DDCs.

Added flexibility comes from programmable global decimation settings ranging from 1024 to 9984 in steps of 256, and 18-bit user programmable FIR decimating filter coefficients for the DDCs. Default DDC

filter coefficient sets are included with the core for all possible decimation settings.

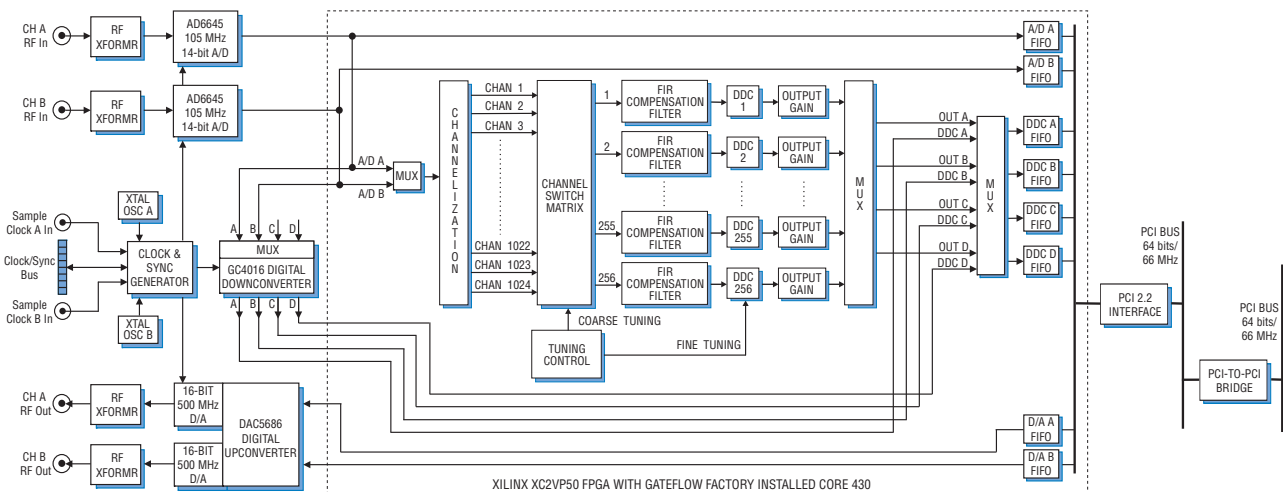
Core 430 utilizes a unique method of channelization. It differs from others in that the channel center frequencies need not be at fixed intervals, and are independently programmable to any value.

Performance	
Parameter	Value
Input Data Resolution	16-bit
Output Data Resolution	16-bit Complex
Tuning Resolution	Clock Freq / 2 <sup>32</sup>
Decimation	1024 – 9984 in steps of 256
Passband Ripple	<0.4 dB with default filter coefficients
Usable Bandwidth	80% with default filter coefficients
Stopband Attenuation	>75 dB
NCO SFDR	>110 dB

**Flexible Architecture**

Core 430 DDC comes factory-installed in the Model 7640-430. A multiplexer in front of the core allows data to be sourced from either A/D converter, A or B. At the output, a multiplexer allows for routing either the output of the GC4016 or the Core 430 DDC to the PCI Bus.

In addition to the DDC outputs, data from both A/D channels are presented to the PCI Bus at a rate equal to the A/D clock rate divided by any interger value between 1 and 4096. A Texas Instruments DAC5686 digital upconverter and dual D/A accepts baseband real or complex data streams from the PCI Bus with signal bandwidths up to 40 MHz. The analog outputs are transformer-coupled to front panel MMCX connectors. ➤



### ► Clocking and Synchronization

Two independent internal timing buses can provide either a single clock or two different clock rates for the input and output signals.

Each timing bus includes a clock, a sync, and a gate or trigger signal. Signals from either Timing Bus A or B can be selected as the timing source for the A/Ds, the down-converter, the upconverter and the D/As. Two external reference clocks are accepted, one for each timing bus and two internal clocks may be used for each timing bus.

A front panel 26-pin LVDS Clock/Sync connector allows multiple boards to be synchronized. In the slave mode, it accepts differential LVDS inputs that drive the clock, sync and gate signals for the two internal timing buses.

In the master mode, the LVDS bus can drive one or both sets of timing signals from the two internal timing buses for synchronizing multiple modules.

Up to seven slave 7640-430's, can be driven from the LVDS bus master, supporting synchronous sampling and sync functions across all connected boards. Up to 80 boards may be synchronized with a Model 9190 Clock and Sync Generator.

### Memory Resources

Three independent banks of SDRAM are available to the FPGA. Built-in memory functions include an A/D data transient capture mode with pre- and post-triggering; a D/A waveform generator mode; and an A/D data delay mode for applications like tracking receivers.

### PCI Interface

The Model 7640-430 includes an industry-standard interface fully compliant with PCI 2.2 bus specifications. The interface includes nine separate DMA controllers for efficient transfers to and from the module. Data widths of 32 or 64 bits and data rates of 33 or 66 MHz are supported.

### Specifications

#### Front Panel Analog Signal Inputs

**Input Type:** Transformer-coupled, front panel female MMCX connectors  
**Transformer Type:** Mini-Circuits ADT4-5WT  
**Full Scale Input:** +4 dBm into 50 ohms  
**3 dB Passband:** 300 kHz to 270 MHz

#### A/D Converters

**Type:** Analog Devices AD6645-105  
**Sampling Rate:** 30 MHz to 105 MHz  
**Internal Clock:** Crystal oscillator A or B  
**External Clock:** 30 to 105 MHz  
**Resolution:** 14 bits

#### Digital Downconverter

**Type:** TI/Graychip GC4016  
**Decimation:** 32 to 16,384; with channel combining mode: 8 or 16  
**Data Source:** A/D, FPGA, or PCI interface  
**Control Source:** FPGA or PCI interface  
**Output:** Parallel complex data  
**Receiver Bypass Mode:** Data from the A/Ds can be written directly into the FPGAs at a rate equal to the A/D clock decimated by any integer between 1 and 4096

#### Front Panel Analog Signal Outputs

**Output Type:** Transformer-coupled, front panel female MMCX connectors  
**Full Scale Output:** +4 dBm into 50 ohms  
**3 dB Passband:** 60 kHz to 300 MHz

#### Digital Upconverter

**Type:** TI DAC5686  
**Input Bandwidth:** 40 MHz, max.  
**Output IF:** DC to 160 MHz  
**Output Signal:** Analog, real or quadrature  
**Sampling Rate:** 320 MHz, max; 500 MHz max. with upconversion disabled  
**Resolution:** 16 bits

**Clock Sources:** Selectable from onboard A or B crystal oscillators, external or LVDS clocks

#### External Clocks

**Type:** Front panel female MMCX connector, sine wave, 0 to +10 dBm, AC-coupled, 50 ohms

**Sync/Gate Bus:** 26-pin connector, dual clock/sync/gate input/output LVDS buses; one sync/gate input TTL signal

#### Field Programmable Gate Array

**Type:** Xilinx Virtex-II Pro XC2VP50

#### Memory

**DDR SDRAM:** 512 MB in three banks

#### PCI Interface

**PCI Bus:** 64-bit, 66 MHz (also supports 32-bit and/or 33 MHz)  
**Local Bus:** 64-bit, 66 MHz  
**DMA:** 9 channel demand-mode and chaining controller

#### Environmental (Commercial version)

**Operating Temp:** 0° to 50° C  
**Storage Temp:** -20° to 90° C  
**Relative Humidity:** 0 to 95%, non-cond.

**Size:** Standard PMC module, 2.91 in. x 5.87 in.

### Ordering Information

Model	Description
7640-430	GateFlow Transceiver with 256-Channel Narrowband DDC Core factory-installed - PCI

Contact Pentek for available options