



Model 7070 shown with Model 3312 multichannel A/D & D/A FMC module



General Information

The Flexor™ Model 7070 is a high-performance PCIe board based on the Xilinx Virtex-7 FPGA. As a stand-alone processor board, it provides an ideal development and deployment platform for demanding signal processing applications.

The 7070 includes a VITA-57.1 FMC site providing access to a wide range of I/O options. When combined with any of Pentek’s analog interface FMCs, it becomes a complete multichannel data conversion and processing subsystem suitable for connection to IF, HF or RF ports of a communications or radar system.

The 7070 architecture includes an optional built-in gigabit serial optical interface. Up to 12 high-speed duplex optical lanes are available on an MTP connector. With the installation of a serial protocol in the FPGA, this interface enables a high-bandwidth connection between 7070s mounted in the same chassis or even over extended distances between them.

Board Architecture

Based on the proven design of the Pentek Onyx family of Virtex-7 products, the 7070 retains all of the key features of that family. As a central foundation of the board architecture, the FPGA has access to all data and control paths of both the main board and the FMC module, enabling factory-installed functions including data multiplexing, channel selection, data packing, gating, triggering and memory control.

The architecture organizes the FPGA as a container for data processing applications where each function exists as an intellectual property (IP) module.

When integrated with a Pentek FMC, the 7070 is delivered with factory-installed applications ideally matched to the board’s analog or digital interfaces. These can include A/D acquisition and D/A waveform playback engines for simplifying data capture and playback.

Data tagging and metadata packet generation, in conjunction with powerful linked-list DMA engines, provide a streamlined interface for moving data on and off the board and identifying data packets with channel, timing and sample-count information.

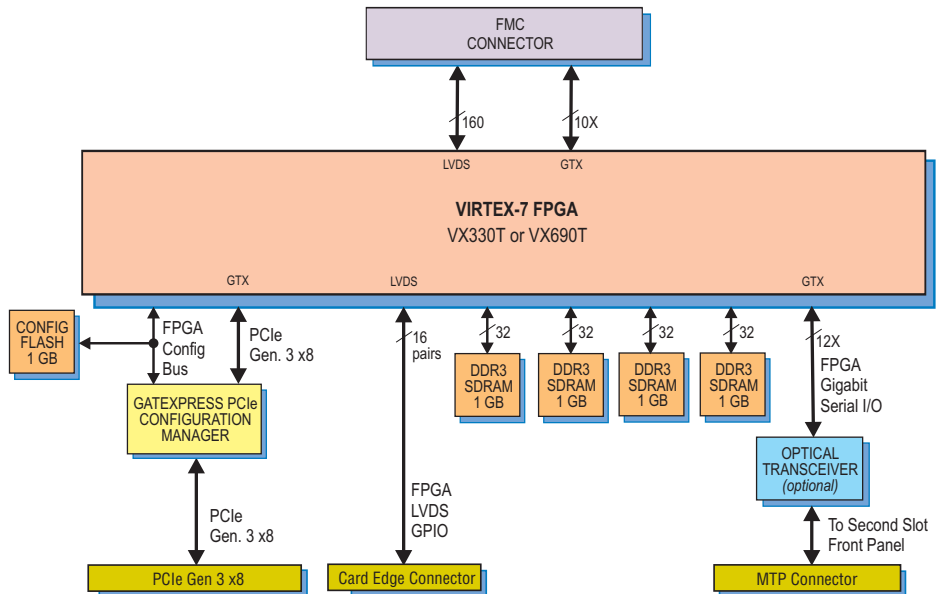
IP modules for DDR3 SDRAM memories, controllers for all data clocking and synchronization functions, a test signal generator, and a PCIe interface complete the factory-installed functions and enable the 7070 and installed FMC to operate as a complete turnkey solution without the need to develop any FPGA IP.

Extendable IP Design

For applications that require specialized functions, users can install their own custom IP for data processing. Pentek GateFlow FPGA Design Kits include all of the factory-installed modules as documented source code. Developers can integrate their own IP with the Pentek factory-installed functions or use the GateFlow kit to completely replace the Pentek IP with their own. ➤

Features

- VITA-57.1 FMC site offers access to a wide range of possible I/O
- Supports Xilinx Virtex-7 VXT FPGAs
- GateXpress supports dynamic FPGA reconfiguration across PCIe
- 4 GB of DDR3 SDRAM
- PCI Express (Gen. 1, 2 and 3) interface up to x8
- Optional user-configurable 12X optical gigabit serial interface
- Optional LVDS connections to the Virtex-7 FPGA for custom I/O
- Commercial and extended-temperature versions available



Xilinx Virtex-7 FPGA

The 7070 can be optionally populated with one of two Virtex-7 FPGAs to match the specific requirements of the processing task. Supported FPGAs are VX330T or VX690T. The VX690T features 3600 DSP48E1 slices and is ideal for modulation/demodulation, encoding/decoding, encryption/decryption, and channelization of the signals between transmission and reception. For applications not requiring large DSP resources or logic, the lower-cost VX330T can be installed.

Sixteen pairs of LVDS connections are optionally provided between the FPGA and a card edge connector for custom I/O. For applications requiring custom gigabit links, up to 12 high-speed, full-duplex FPGA GTX lanes driven via an optical transceiver support serial protocols. A 12-lane MTP optical connector is presented on a PCIe slot panel that can be installed in an empty, adjacent PCIe slot.

When configured with a VX330T FPGA, four duplex lanes are available.

GateXpress for FPGA Configuration

The 7070 architecture includes GateXpress, a sophisticated FPGA-PCIe configuration manager for loading and reloading the FPGA. At power up, GateXpress immediately presents a PCIe target for the host computer to discover, effectively giving the FPGA time to load from FLASH. This is especially important for larger FPGAs where the loading times can exceed the PCIe discovery window, typically 100 msec on most SBCs.

The board's configuration FLASH can hold four FPGA images. Images can be factory-installed IP or custom IP created by the user, and programmed into the FLASH via JTAG using Xilinx iMPACT or through the board's PCIe interface. At power up the user can choose which image will load based on a hardware switch setting.

Once booted, GateXpress allows the user three options for dynamically reconfiguring the FPGA with a new IP image. The first is the option to load an alternate image from FLASH through software control. The user selects the desired image and issues a reload command.

The second option is for applications where the FPGA image must be loaded directly through the PCIe interface. This is important in security situations where there can be no latent user image left in nonvolatile memory when power is removed. In applications where the FPGA IP may need to change many times during the course of a mission, images can be stored on the host computer and loaded through PCIe as needed.

The third option, typically used during development, allows the user to directly load the FPGA through JTAG using Xilinx iMPACT.

In all three FPGA loading scenarios, GateXpress handles the hardware negotiation simplifying and streamlining the loading task. In addition, GateXpress preserves the PCIe configuration space allowing dynamic FPGA reconfiguration without needing to reset the host computer to rediscover the board. After the reload, the host simply continues to see the board with the expected device ID.

Specifications

I/O Module Interface: VITA-57.1, High Pin Count FMC site

Field Programmable Gate Array

Standard: Xilinx Virtex-7 XC7VX330T-2

Option -076: Xilinx Virtex-7 XC7VX690T-2

Custom FPGA I/O

Parallel, Option -104: 16 pairs of LVDS connections between the FPGA and a card-edge connector.

Serial, Option -110: User-configurable 12X (VX690T) or 4X (VX 330T) optical gigabit serial interface, MTP connector installed in an empty adjacent slot

Memory

Type: DDR3 SDRAM

Size: Four banks, 1 GB each

Speed: 800 MHz (1600 MHz DDR)

PCI-Express Interface

PCI Express Bus: Gen. 1, 2 or 3: x4 or x8;

Environmental: Level L1 & L2 air cooled,

Size: Half-length PCIe card

Model 8266

The Model 8266 is a fully-integrated PC development system for Pentek Cobalt, Onyx and FMC PCI Express boards. It was created to save engineers and system integrators the time and expense associated with building and testing a development system that ensures optimum performance of Pentek boards.



Ordering Information

Model	Description
7070	PCI Express Virtex-7 Processor and FMC Carrier - x8 PCIe
Options:	
-076	XC7VX690T-2 FPGA
-104	16 pairs LVDS FPGA I/O
-110	12x gigabit serial optical I/O

Contact Pentek for availability of extended-temperature versions

Model	Description
8266	PC Development System See 8266 Datasheet for Options