



Model 5220 COTS (left) and rugged version



Features

- Accepts RF signals from 400 MHz to 4000 MHz
- Accepts RF input levels from -60 dBm to -20 dBm
- Baseband IF output with up to 390 MHz bandwidth
- Internal OCXO or external 10 MHz frequency reference

General Information

The Bandit® Model 5220 is a two-channel, high-performance, stand-alone analog RF wideband downconverter. Packaged in a small, shielded 3U VPX board with front-panel connectors for easy integration into RF systems, the board offers programmable gain, high dynamic range and a low noise figure.

With an input frequency range from 400 to 4000 MHz and a wide IF bandwidth of up to 390 MHz, the 5220 is an ideal solution for amplifying and downconverting antenna signals for communications, radar and signal intelligence systems.

Programmable Input Level

The 5220 accepts RF signals on two front-panel SSMC connectors. LNAs (Low Noise Amplifiers) are provided, along with two programmable attenuators allowing downconversion of input signals ranging from -60 dBm to -20 dBm in steps of 0.5 dB. Higher level signals can be attenuated prior to input.

Input Filter Options

An optional five-stage lowpass or bandpass input filter can be included with several available frequency and attenuation characteristics for RF image rejection and harmonic suppression.

Quadrature Mixers

The 5220 features a pair of Analog Devices ADL5380 quadrature mixers. The ADL5380's are capable of excellent accuracy

with amplitude and phase balances of ~0.07 dB and ~0.2°, respectively.

Tuning Accuracy

The 5220 uses an Analog Devices ADF4351 low-noise, on-board frequency synthesizer as the LO (Local Oscillator). Locked to an external input reference for accuracy with a fractional-N phase-locked loop, its frequency is programmable across the 400 to the 4000 MHz band with a tuning resolution of better than 100 kHz.

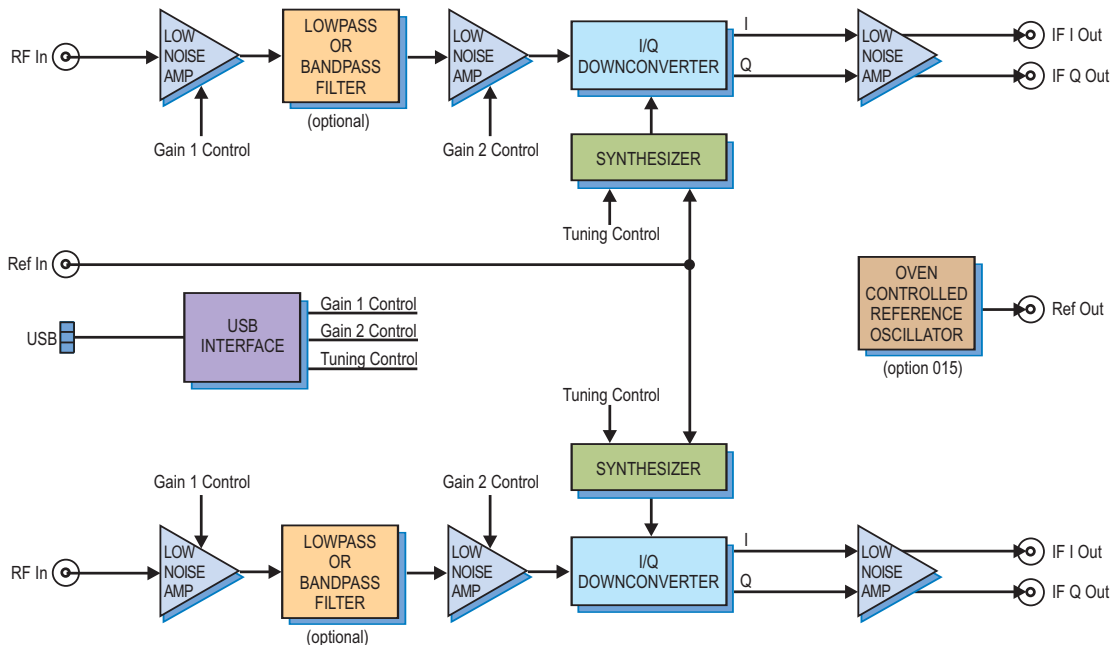
On-board Reference Clock

In addition to accepting a 10 MHz reference signal on the front panel, the 5220 includes an on-board 10 MHz crystal oscillator which can be used as the reference to lock the internal LO frequency synthesizer.

This reference is an OCXO (Oven Controlled Crystal Oscillator), which provides an exceptionally precise frequency standard with excellent phase noise characteristics.

Wideband Output

Output is provided as baseband I and Q signals at bandwidths up to 390 MHz. Alternatively, either I or Q output can be used at some intermediate offset frequency convenient to the application. User-provided in-line output IF filters allow customizing the output bandwidth and offset frequency to the specific application requirements. This output is suitable for A/D conversion using Pentek high-performance signal acquisition products, such as those in the Cobalt and Onyx families. ➤



► Specifications

RF Input

Connector Type: SSMC
 Input Impedance: 50 ohms
 Input Level Range: -60 dBm to -20 dBm
 Flatness: ± 2 dB from 400 MHz to 1 GHz,
 ± 3 dB from 1 GHz to 3 GHz, ± 5 dB from
 3 GHz to 4 GHz

RF Attenuator: Programmable from 0 to
 63 dB in 0.5 dB steps

LO Synthesizer Tuning

Frequency range: 400–4000 MHz,
 Resolution: < 10 kHz
 Tuning Speed: < 500 μ sec
 Phase-Locked Loop Bandwidth: 100 kHz

Phase Noise

1 kHz: -90 dBc/Hz
 100 kHz: -110 dBc/Hz
 1 MHz: -130 dBc/Hz

Noise Figure (referred to input)

60 dB gain: 2.6 dB

Inband Output IP3

20 dB gain: +10 dBm
 60 dB gain: +42 dBm

Reference Input/Output

Connector Type: SSMC
 Input/Output Impedance: 50 ohms

Reference Input Signal

Frequency: 10 MHz
 Level: 0 dBm, sine wave

Reference Output Signal

Frequency: 10 MHz
 Level: 0 dBm, sine wave

OCXO Reference

Center Frequency: 10 MHz
 Frequency Stability vs. Change in
 Temperature: ± 50.0 ppb
 Frequency Calibration: ± 1.0 ppm

Aging

Daily: ± 10 ppb/day
 First Year: ± 300 ppb

Total Frequency Tolerance
 (20 years): ± 4.60 ppm

Phase Noise

1 Hz Offset: -67 dBc/Hz
 10 Hz Offset: -100 dBc/Hz
 100 Hz Offset: -130 dBc/Hz
 1 KHz Offset: -148 dBc/Hz
 10 KHz Offset: -154 dBc/Hz
 100 KHz Offset: -155 dBc/Hz

IF Output

Connector Type: SSMC
 Output Impedance: 50 ohms
 Center Frequency: User definable
 Output Level: 0 dBm, nominal

Programming

Functions: RF Atten, IF Atten, Int/Ext
 Reference Select, LO Synthesizer Frequency
 Interface: USB
 Connector Type: MicroUSB

Power

Voltage: +12 VDC
 Current: 1.5 A

PCI Express Interface

PCIe Bus: x4, power only

Environmental

Operating Temp: 0° to 50° C
 Storage Temp: -20° to 90° C
 Relative Humidity: 0 to 95%, non-cond.

Size: 3.937 in. x 6.717 in. (100 mm x 170.6 mm)

Ordering Information

Model	Description
5220	Bandit Two-Channel Analog RF Wideband Downconverter - 3U VPX

Option	Description
-015	Oven Controlled Reference Oscillator
-145	1.45 GHz lowpass input filter
-280	2.80 GHz lowpass input filter