



Model 74651 Model 73651



### General Information

Models 72651, 73651 and 74651 are members of the Cobalt® family of high performance CompactPCI boards based on the Xilinx Virtex-6 FPGA. They consist of one or two Model 71651 XMC modules mounted on a cPCI carrier board.

Model 72651 is a 6U cPCI board while the Model 73651 is a 3U cPCI board; both are equipped with one Model 71651 XMC. Model 74651 is a 6U cPCI board with two XMC modules rather than one.

These models include two or four A/Ds, two or four multiband DDCs, one or two DUCs, two or four D/As and three or six banks of memory.

### The Cobalt Architecture

The Pentek Cobalt Architecture features a Virtex-6 FPGA. All of the board's data and control paths are accessible by the FPGA, enabling factory-installed functions including data multiplexing, channel selection, data packing, gating, triggering and memory control. The Cobalt Architecture organizes the FPGA as a container for data processing applications where each function exists as an intellectual property (IP) module.

Each member of the Cobalt family is delivered with factory-installed applications ideally matched to the board's analog interfaces. The factory-installed functions of these models include two or four A/D acquisition and one or two D/A waveform playback IP modules. Each of the acquisition IP modules contains a powerful, programmable DDC IP core. The waveform playback IP module contains an interpolation IP core,

ideal for matching playback rates to the data and decimation rates of the acquisition modules. IP modules for either DDR3 or QDRII+ memories, a controller for all data clocking and synchronization functions, a test signal generator, a programmable beamforming IP core, an Aurora gigabit serial interface, and a PCIe interface complete the factory-installed functions and enable these models to operate as complete turnkey solutions, without the need to develop any FPGA IP.

### Extendable IP Design

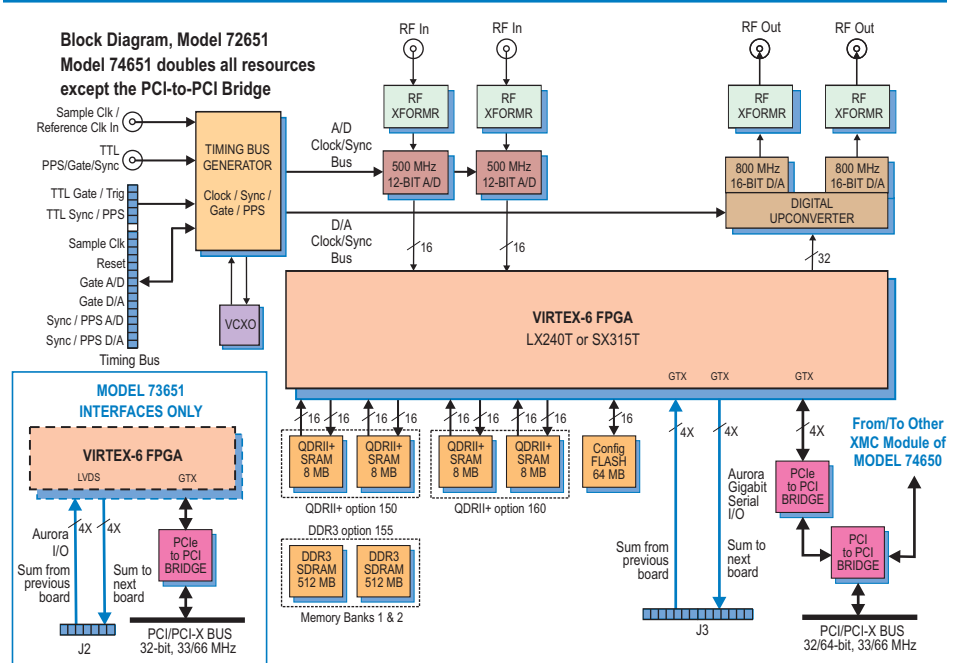
For applications that require specialized function, users can install their own custom IP for data processing. Pentek GateFlow FPGA Design Kits include all of the factory-installed modules as documented source code. Developers can integrate their own IP with the Pentek factory-installed functions or use the GateFlow kit to completely replace the Pentek IP with their own.

### Xilinx Virtex-6 FPGA

The Virtex-6 FPGA site can be populated with two different FPGAs to match the specific requirements of the processing task. Supported FPGAs include: LX240T or SX315T. The SXT part features 1344 DSP48E slices and is ideal for modulation/demodulation, encoding/decoding, encryption/decryption, and channelization of the signals between transmission and reception. For applications not requiring large DSP resources, the lower-cost LXT FPGA can be installed. ➤

### Features

- Complete radar and software radio interface solution
- Supports Xilinx Virtex-6 LXT and SXT FPGAs
- Two or four 500 MHz 12-bit A/Ds
- Two or four multiband DDCs (digital downconverters)
- Two or four 800 MHz 16-bit D/As
- One or two DUCs (digital upconverters)
- One or two multiboard programmable beamformers
- Up to 2 or 4 GB of DDR3 SDRAM; or 16 or 32 MB of QDRII+ SRAM
- Sample clock synchronization to an external system reference
- LVPECL clock/sync bus for multiboard synchronization



### A/D Acquisition IP Modules

These models feature two or four A/D Acquisition IP Modules for easily capturing and moving data. Each module can receive data from either of the two A/Ds, a test signal generator or from the D/A Waveform Playback IP Module in loopback mode.

Each IP module has an associated memory bank for buffering data in FIFO mode or for storing data in transient capture mode. All memory banks are supported with DMA engines for easily moving A/D data through the PCIe interface.

These powerful linked-list DMA engines are capable of a unique Acquisition Gate Driven mode. In this mode, the length of a transfer performed by a link definition need not be known prior to data acquisition; rather, it is governed by the length of the acquisition gate. This is extremely useful in applications where an external gate drives acquisition and the exact length of that gate is not known or is likely to vary.

For each transfer, the DMA engine can automatically construct metadata packets containing A/D channel ID, a sample-accurate time stamp and data length information. These actions simplify the host processor's job of identifying and executing on the data.

### DDC IP Cores

Within each A/D Acquisition IP Module is a powerful DDC IP core. Because of the flexible input routing of the A/D Acquisition IP Modules, many different configurations can be achieved including one A/D driving both DDCs or each of the two A/Ds driving its own DDC.

Each DDC has an independent 32-bit tuning frequency setting that ranges from DC to  $f_s$  where  $f_s$  is the A/D sampling

frequency. Each DDC can have its own unique decimation setting, supporting as many as two or four different output bandwidths for the board. Decimations can be programmed from 2 to 131,072 providing a wide range to satisfy most applications.

The decimating filter for each DDC accepts a unique set of user-supplied 16-bit coefficients. The 80% default filters deliver an output bandwidth of  $0.8 * f_s / N$ , where N is the decimation setting. The rejection of adjacent-band components within the 80% output bandwidth is better than 100 dB. Each DDC delivers a complex output stream consisting of 24-bit I + 24-bit Q or 16-bit I + 16-bit Q samples at a rate of  $f_s / N$ .

### Beamformer IP Core

In addition to the DDCs, these models feature one or two complete beamforming subsystems. Each DDC core contains programmable I & Q phase and gain adjustments followed by a power meter that continuously measures the individual average power output. The time constant of the averaging interval for each meter is programmable up to 8K samples. The power meters present average power measurements for each DDC core output in easy-to-read registers.

In addition, each DDC core includes a threshold detector to automatically send an interrupt to the processor if the average

power level of any DDC core falls below or exceeds a programmable threshold.

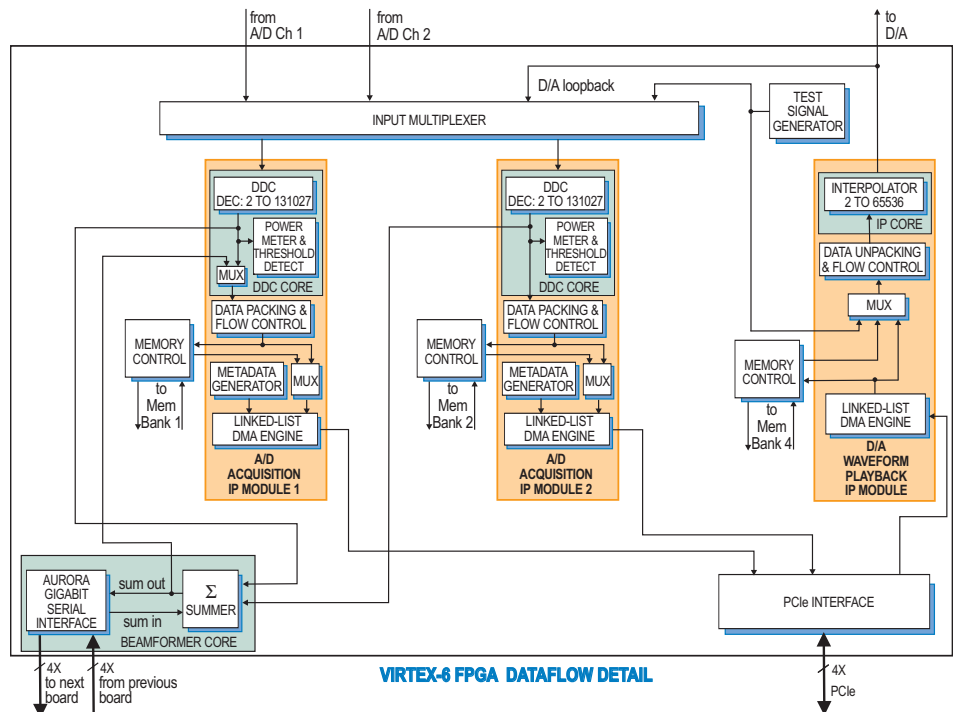
A programmable summation block provides summing of any of the DDC core outputs. An additional programmable gain stage compensates for summation change bit growth. A power meter and threshold detect block is provided for the summed output. The output is then directed back into the A/D Acquisition IP Module 1 FIFO for reading over the PCIe. For larger systems, multiple models can be chained together via a built-in Xilinx Aurora gigabit serial interface through the dual 4X serial connector. This allows summation across channels on multiple boards.

### D/A Waveform Playback IP Modules

The factory-installed functions in these models include one or two sophisticated D/A Waveform Playback IP modules. A linked-list controller allows users to easily play back to the dual D/As waveforms stored in either on-board memory or off-board host memory.

Parameters including length of waveform, delay from playback trigger, waveform repetition, etc. can be programmed for each waveform.

Up to 64 individual link entries can be chained together to create complex waveforms with a minimum of programming. ➤



### ► A/D Converter Stage

The front end accepts two or four analog HF or IF inputs on front panel SSMC connectors with transformer coupling into two or four Texas Instruments ADS5463 500 MHz, 12-bit A/D converters.

The digital outputs are delivered into the Virtex-6 FPGA for signal processing, data capture and for routing to other module resources.

### Digital Upconverter and D/A Stage

One or two TI DAC5688 DUCs (digital upconverters) and D/As accepts a baseband real or complex data stream from the FPGA and provides that input to the upconvert, interpolate and dual D/A stages.

When operating as a DUC, it interpolates and translates real or complex baseband input signals to any IF center frequency up to 360 MHz. It delivers real or quadrature (I+Q) analog outputs to the dual 16-bit D/A converter. Analog output is through a pair of front panel SSMC connectors.

If translation is disabled, the DAC5688 acts as a dual interpolating 16-bit D/A with output sampling rates up to 800 MHz. In both modes the DAC5688 provides interpolation factors of 2x, 4x and 8x. In addition to the DAC5688, an FPGA based interpolator core provides additional interpolation from 2x to 65,536x. The two interpolators can be combined to create a total range from 2x to 524,288x.

### Clocking and Synchronization

Two internal timing buses provide either a single clock or two different clock rates to the A/D and D/A signal paths.

Each timing bus includes a clock, sync and a gate or trigger signal. An on-board clock generator receives an external sample clock from the front panel SSMC connector. This clock can be used directly for either the A/D or D/A sections or can be divided by a built-in clock synthesizer circuit to provide different A/D and D/A clocks. In an alter-

nate mode, the sample clock can be sourced from an on-board programmable VCXO (Voltage-Controlled Crystal Oscillator). In this mode, the front panel SSMC connector can be used to provide a 10 MHz reference clock for synchronizing the internal oscillator.

A front panel 26-pin LVPECL Clock/Sync connector allows multiple boards to be synchronized. In the slave mode, it accepts LVPECL inputs that drive the clock, sync and gate signals. In the master mode, the LVPECL bus can drive the timing signals for synchronizing multiple boards.

Multiple boards can be driven from the LVPECL bus master, supporting synchronous sampling and sync functions across all connected boards.

### Memory Resources

The Cobalt architecture supports up to three or six independent memory banks which can be configured with QDRII+ SRAM, DDR3 SDRAM, or as combination of two banks of each type of memory.

Each QDRII+ SRAM bank can be up to 8 MB deep and is an integral part of the boards's DMA capabilities, providing FIFO memory space for creating DMA packets. For applications requiring deep memory resources, DDR3 SDRAM banks can each be up to 512 MB deep. Built-in memory functions include an A/D data transient capture mode and D/A waveform playback mode.

In addition to the factory-installed functions, custom user-installed IP within the FPGA can take advantage of the memories for many other purposes.

### PCI-X Interface

These models include an industry-standard interface fully compliant with PCI-X bus specifications. The interface includes multiple DMA controllers for efficient transfers to and from the board. Data widths of 32 or 64 bits and data rates of 33 and 66 MHz are supported. Model 73651: 32 bits only. ►

► **Specifications**

**Model 72651 or Model 73651:** 2 A/Ds,  
2 DDCs, 1 DUC, 2 D/As

**Model 74651:** 4 A/Ds, 4 DDCs, 2 DUCs,  
4 D/As

**Front Panel Analog Signal Inputs (2 or 4)**

**Input Type:** Transformer-coupled, front  
panel female SSMC connectors

**Transformer Type:** Coil Craft  
WBC4-6TLB

**Full Scale Input:** +5 dBm into 50 ohms  
**3 dB Passband:** 300 kHz to 700 MHz

**A/D Converters (standard) (2 or 4)**

**Type:** Texas Instruments ADS5463

**Sampling Rate:** 20 MHz to 500 MHz

**Resolution:** 12 bits

**A/D Converters (Option -014) (2 or 4)**

**Type:** Texas Instruments ADS5474

**Sampling Rate:** 20 MHz to 400 MHz

**Resolution:** 14 bits

**Digital Downconverters (2 or 4)**

**Decimation Range:** 2x to 131,072x in  
two programmable stages of 2x to 256x  
and one fixed 2x stage

**LO Tuning Freq. Resolution:** 32 bits,  
0 to  $f_s$

**LO SFDR:** >120 dB

**Phase Offset Resolution:** 32 bits,  
0 to 360 degrees

**FIR Filter:** 16-bit coefficients, 24-bit output,  
with user programmable coefficients  
**Default Filter Set:** 80% bandwidth, <0.3  
dB passband ripple, >100 dB stopband  
attenuation

**D/A Converters (2 or 4)**

**Type:** Texas Instruments DAC5688

**Input Data Rate:** 250 MHz max.

**Output IF:** DC to 400 MHz max.

**Output Signal:** 2-channel real or  
1-channel with frequency translation

**Output Sampling Rate:** 800 MHz max.  
with 2x, 4x or 8x interpolation

**Resolution:** 16 bits

**Digital Interpolators (1 or 2)**

**Interpolation Range:** 2x to 65,536x in  
two stages of 2x to 256x

**Beamformers (1 or 2)**

**Summation:** Two channels on-board;  
multiple boards can be summed via  
Summation Expansion Chain

**Summation Expansion Chain:** One

chain in and one chain out link via a  
dual 4X connector using Aurora protocol

**Phase Shift Coefficients:** I & Q with  
16-bit resolution

**Gain Coefficients:** 16-bit resolution

**Channel Summation:** 24-bit

**Multiboard Summation Expansion:**  
32-bit

**Front Panel Analog Signal Outputs (2 or 4)**

**Output:** Transformer-coupled, front  
panel female SSMC connectors

**Transformer:** Coil Craft WBC4-6TLB

**Full Scale Output:** +4 dBm into 50 ohms  
**3 dB Passband:** 300 kHz to 700 MHz

**Sample Clock Sources (2 or 4)**

On-board clock synthesizer generates  
two clocks: one A/D clock and one D/  
A clock

**Clock Synthesizers (1 or 2)**

**Clock Source:** Selectable from on-board  
programmable VCXO (10 to 810 MHz),  
front panel external clock or LVPECL  
timing bus

**Synchronization:** VCXO can be locked  
to an external 4 to 180 MHz PLL system  
reference, typically 10 MHz

**Clock Dividers:** External clock or VCXO  
can be divided by 1, 2, 4, 8, or 16, inde-  
pendently for the A/D clock and D/A  
clock

**External Clocks (1 or 2)**

**Type:** Front panel female SSMC connector,  
sine wave, 0 to +10 dBm, AC-coupled,  
50 ohms, accepts 10 to 800 MHz divider  
input clock or PLL system reference

**Timing Bus (1 or 2):** 26-pin connector

LVPECL bus includes, clock/sync/gate/  
PPS inputs and outputs; TTL signal for  
gate/trigger and sync/PPS inputs

**Field Programmable Gate Arrays (1 or 2)**

**Standard:** Xilinx Virtex-6 XC6VLX240T-2  
**Optional:** Xilinx Virtex-6 XC6VXSX315T-2

**Memory (1 or 2)**

**Option -150:** Two 8 MB QDRII+ SRAM  
memory banks, 400 MHz DDR

**Option -155 or -165:** Two 512 MB DDR3  
SDRAM memory banks, 400 MHz DDR

**PCI-X Interface**

**PCI-X Bus:** 32 or 64 bits at 33 or 66 MHz  
Model 73651: 32 bits only

**Environmental**

**Operating Temp:** 0° to 50° C

**Storage Temp:** -20° to 90° C

**Relative Humidity:** 0 to 95%, non-cond.

**Size:** Standard 6U or 3U cPCI board

**Ordering Information**

Model	Description
72651	2-Channel 500 MHz A/D with DDC, DUC with 2-Channel 800 MHz D/A, and a Virtex-6 FPGA - 6U cPCI
73651	2-Channel 500 MHz A/D with DDC, DUC with 2-Channel 800 MHz D/A, and a Virtex-6 FPGA - 3U cPCI
74651	4-Channel 500 MHz A/D with DDCs, DUCs with 4-Channel 800 MHz D/A, and two Virtex-6 FPGAs - 6U cPCI

**Options:**

002*	-2 FPGA speed grade
-014	400 MHz, 14-bit A/Ds
-062	XC6VLX240T FPGA
-064	XC6VXSX315T FPGA
-150	Two 8 MB QDRII+ SRAM Memory Banks (Banks 1 and 2)
-155	Two 512 MB DDR3 SDRAM Memory Banks (Banks 1 and 2)
-165	Two 512 MB DDR3 SDRAM Memory Banks (Banks 3 and 4)

\* This option is always required